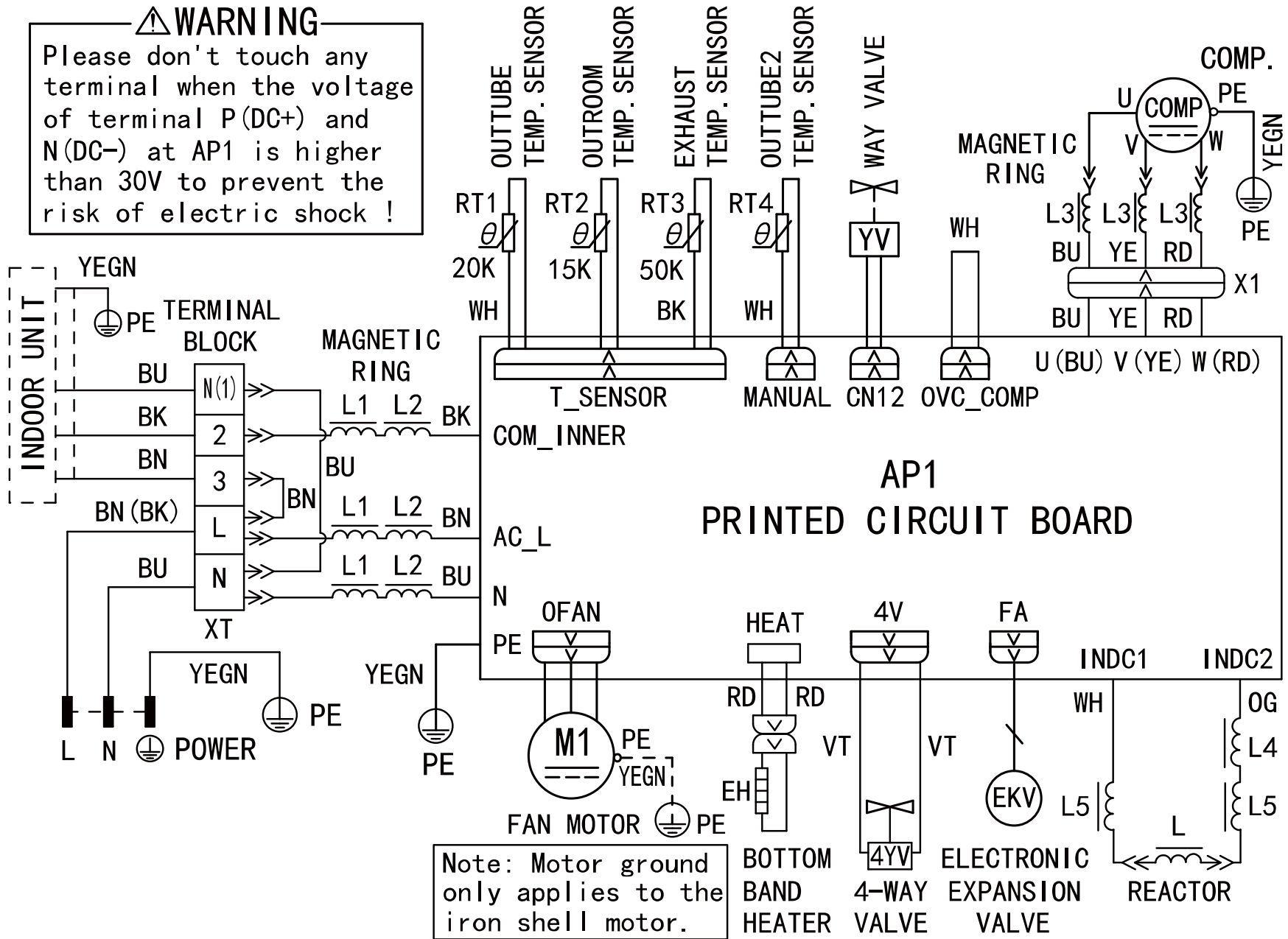


⚠ WARNING
 Please don't touch any electronic component or terminal when the machine is running, stopping or has been powered off for less than 3 minutes to prevent electric shock !

⚠ WARNING

Please don't touch any terminal when the voltage of terminal P (DC+) and N (DC-) at AP1 is higher than 30V to prevent the risk of electric shock !



Note: Motor ground only applies to the iron shell motor.

Model:		
	AWO-60HRDC1A	
	Wiring Diagram	2017-12-22
		2