



# Wired Controller MK010 Owner's Manual

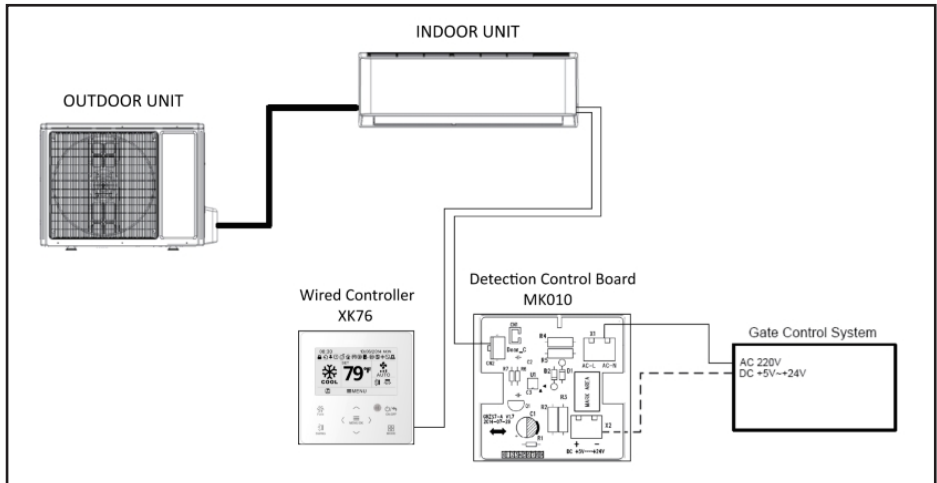
Owner's Manual  
Air Conditioners

- Thank you for choosing Air Conditioners, please read this owner's manual carefully before operation and retain it for future reference. If you have lost the Owner's Manual, please contact the local agent or [www.alpicair.com](http://www.alpicair.com) for electronic version.
- AlpicAir reserves the right to interpret this manual which will be subject to any change due to product improvement without further notice.
- AlpicAir reserves the final right to interpret this manual.

## Gate-control Function

This detection control board is only suitable for AlpicAir split type wall-mounted air conditioner with gate-control function. The AC will run after plugging in gate-control card and stop running after plugging out the card. Upon plugging out the card to stop the unit, the running states of the unit will be memorized. After plugging in the card, the unit will be under standby state or resume running according to settings. The AC will run when the customer plugs in the card and automatically stop when he plugs out the card, which ensures unit off after leaving of persons and saves energy.

**Fig.1** is about simple sketch for communication network of detection control board for AlpicAir split type wall-mounted air conditioner series.



**Fig. 1** Simple Sketch for Communication Network of Detection Control Board (with Wired Controller) for AlpicAir split type wall-mounted Hyper Nordic series air conditioner.

## Working Process of Gate Control

1. When the indoor unit hasn't been connected to the detection control board, this air conditioner is the non-gate controlled air conditioner. The air conditioner can operate at normal status.
2. When the air conditioner has been connected to the detection control board, if the user hasn't plug in the gate-control card, the air conditioner will enter into standby status automatically after it has been turned on for 6mins. When plugging in the gate-control card, air conditioner will operate normally at the previous mode.
3. When air conditioner has been connected to the detection control board, when user operates the air conditioner after plugging in gate-control card, the air conditioner can operate at normal status.

4. When air conditioner has been connected to the detection control board, after plugging in gate-control card and the air conditioner operates normally, the air conditioner will enter into standby status automatically after plugging out the gate-control card for 6mins.

## Detection Control Board Interface Sketch is shown in Fig.2

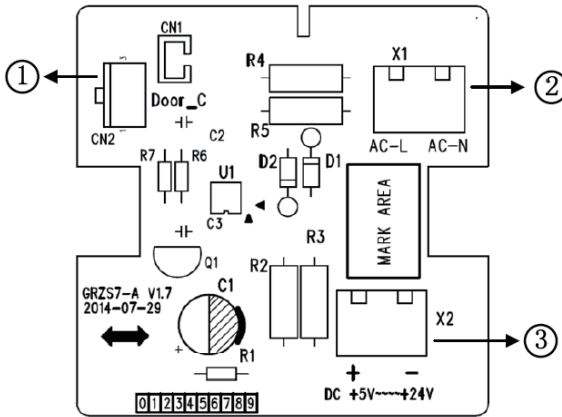


Fig2 Detection Control Board Interface Sketch

- ① Interface connected with main board of indoor unit (3-core blue).
- ② Wiring terminal X1(AC\_L,AC\_N),suspended in the middle, connects with gate-control signal input. The voltage should be about 220V.
- ③ Wiring terminal X2(+5V...+24V),suspended in the middle, connects with gate-control signal input. The voltage should be about +5V to +24V.

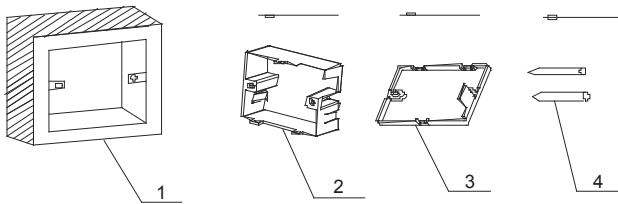
**Note:** When this detection control board is connecting to the gate-control system, it can only connect to ② or ③.

The gate-control function can be realized after the detective interface of detection control board connects with interface of gate-control card and signal interface of it connects with the main board.

## Products Parameters

Model: MK010  
 Working Voltage: AC 220-240V, 50HZ or DC +5V-+24V  
 Power: 1W  
 Working temperature: -10 --48 C

## Installation of Detection Control Board



**Fig. 3** Installation Sketch of Detection Control Board

No.	1	2	3	4
Description	Base box of socket installed in the wall , a hole with( Y ×P×DD 100mm×100mm×50mm	Bottom plate of detection control board	Front panel of detection control board	Screw M4X25

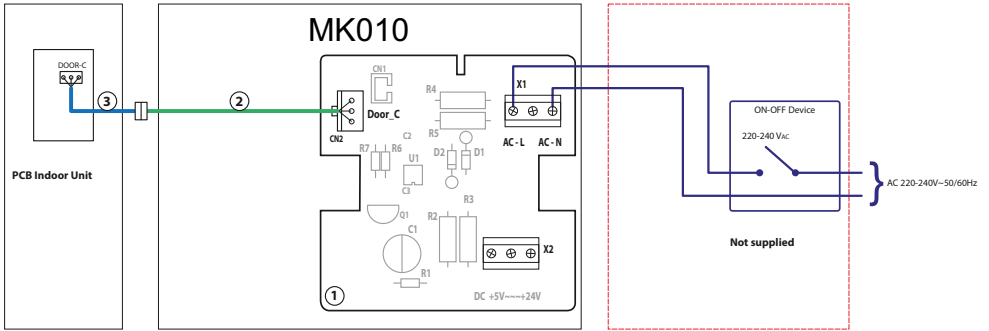
**Note:** Detection control board with (Y ×P×Ö) 73.5mm×73.5mm×33.0mm

**Fig.3** is about installation process of detection control board. The following items should be attended.

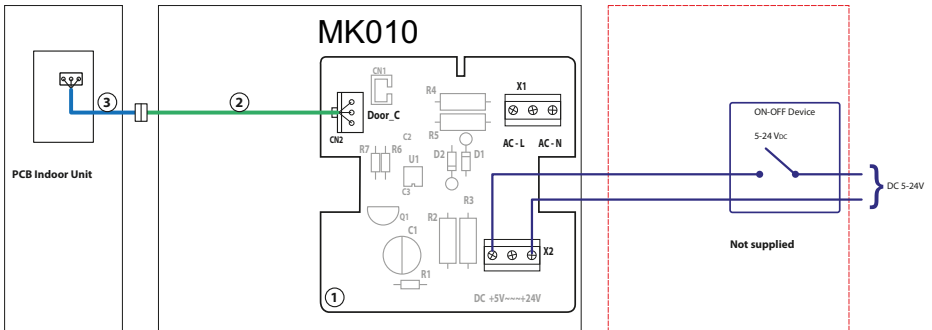
1. Installation must be performed by professionals. Either 220-240V or DC 5-24V is ok.
2. Cut off the power of heavy current wire covered in the mounting hole in the wall before installation. Never perform the installation with electricity.
3. Press the bottom plate of the detection control board on the wall, and then make it and front panel of detection control board together.
4. At last fix the bottom plate and front panel of detection control board together with screw ST2.2X6.5.
5. There shouldn't be any large-power electric appliance and firming base nearby to avoid interference source.
6. Avoid sunlight and rain and do not install it at wet space.
7. Do not install the unit at the place where there is corrosive gas, serious dust, salt fog and oil smoke or which is specially wet.
8. The detection control board must be installed at concealed place and far from water and fire.

# Types of connection

## (A) AC 220-240V~50/60Hz



## (B) DC 5-24V



Cable length 10m

Cable length 23cm  
Standard with indoor unit.

For each MK010 only one type of connection is possible A or B.



---

[WWW.ALPICAIR.COM](http://WWW.ALPICAIR.COM)