

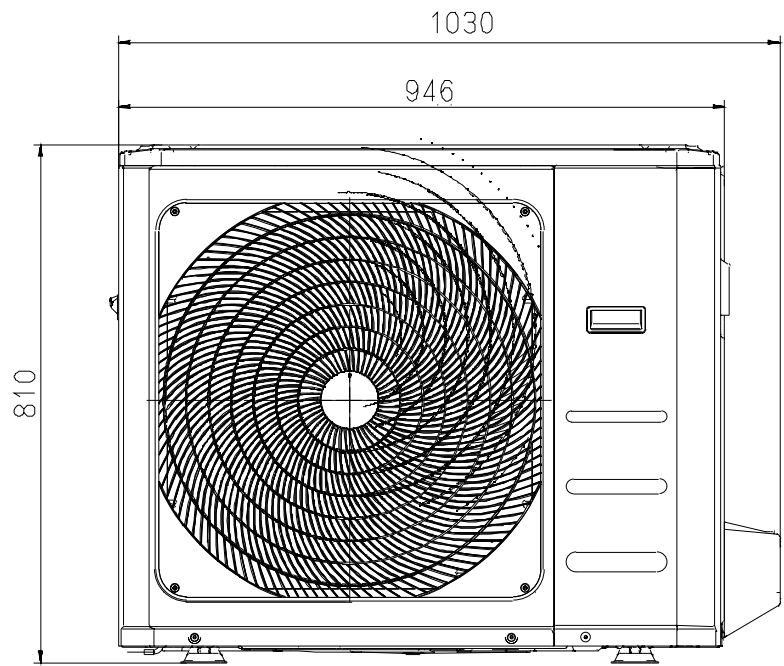
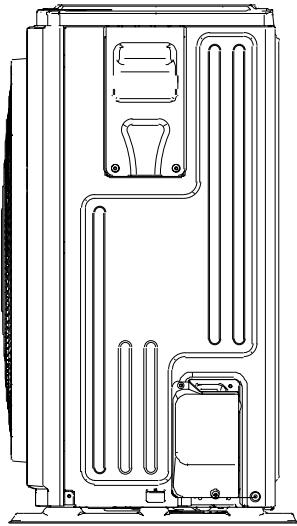
Model	unit	A	B	C	D	E	F	G	H	I	J	K	L	M	H1	H2	W1	W2
ATI-105	mm	1360	249	774	700	140	1186	50	175	1261	228	5	1400	598	80	150	130	155
	inch	53.54	9.80	30.47	27.56	5.51	46.69	1.97	6.89	49.65	8.98	0.2	55.12	23.54	3.15	5.91	5.12	6.10

Model:

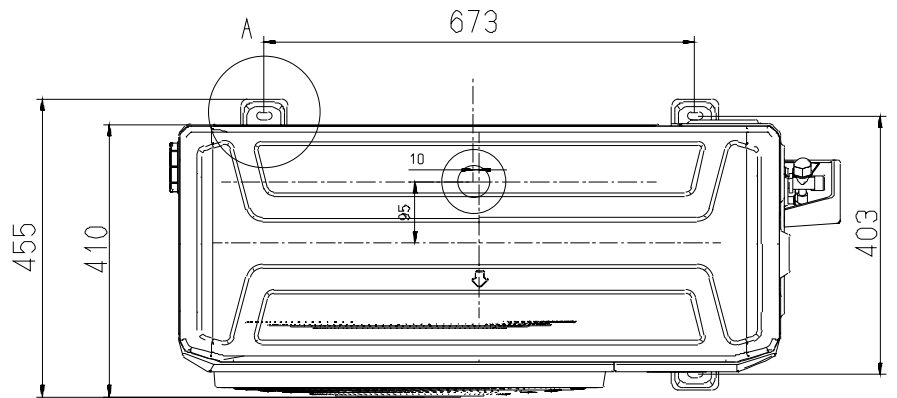
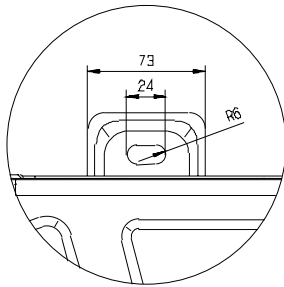
ATI-105HRDC3A


Outline Dimensions Drawing





DETAIL A  
SCALE 1:2



Model:	
AOI-105HRDC3A	
Outline Dimensions Drawing	