
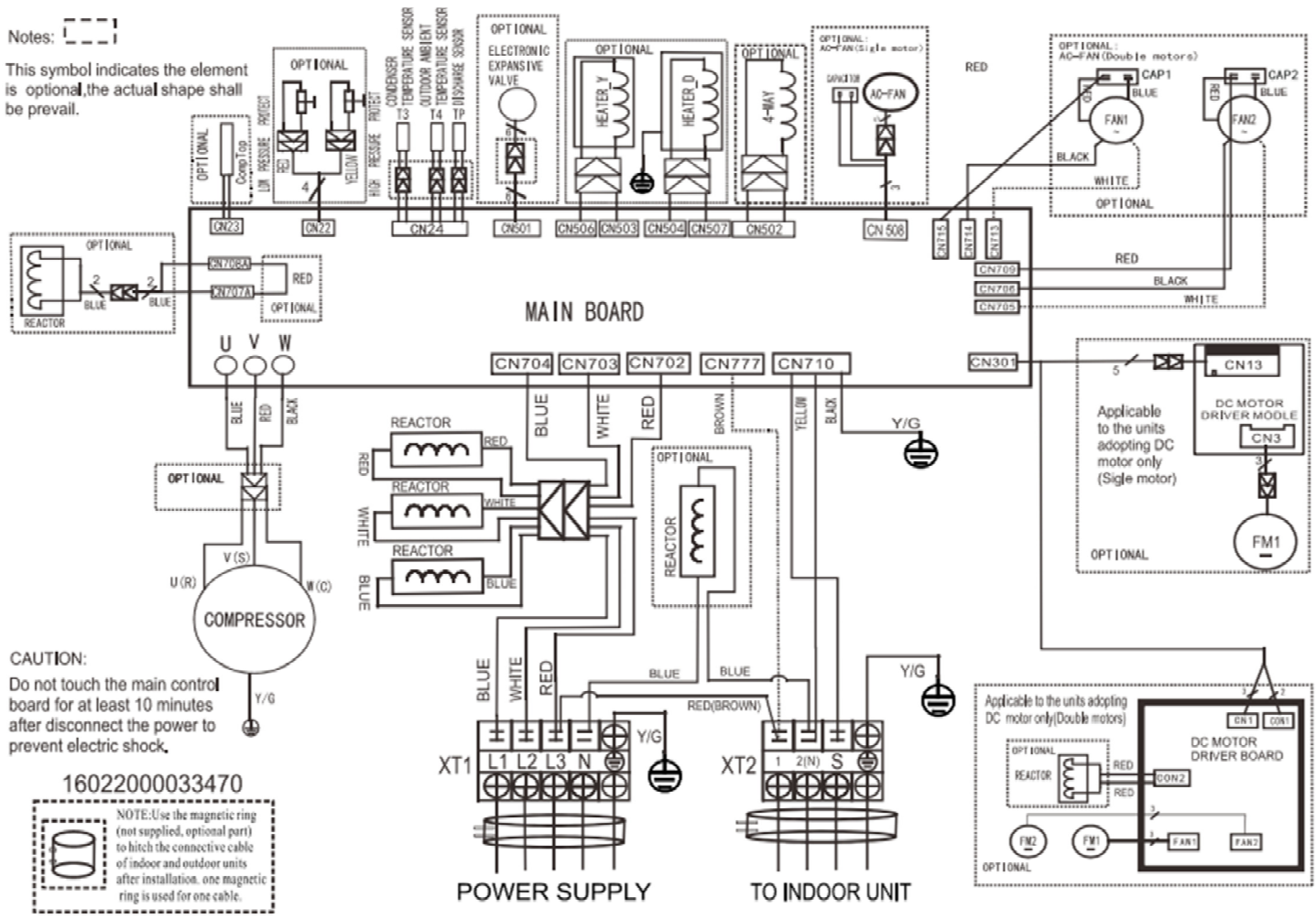



Notes: 

This symbol indicates the element is optional, the actual shape shall be prevail.



Model:	
AOU-180HRDC3A	
Wiring diagram	1