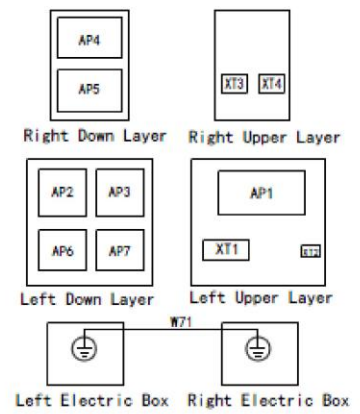


1DU/ODU communication  
Centralized control network

CODE	NAME
XT1-2	Wiring board (4 bit)
AP1	Main board
AP2-3	Wave filter board
AP4-5	Drive board of DC inverter compressor 1~2
AP6-7	Drive board of fan motor 1~2
L1-2	Electric reactor 1~2
COMP1-2	Inverter compressor 1~2
M1-2	Fan motor 1~2
YV1	4-way valve
YV2	Oil balance valve 1
YV3	Oil balance valve 2
YV4	Gas bypass valve
YV5	Inverter compressor 2 pressure balance valve
EKV1	Heating electric expansion valve
EKV2	Sub-cooler electric expansion valve
XT3-4	Wiring board (5 bit)
RT1	Ambient temperature sensor
RT2	Inverter compressor 1 discharging temperature sensor
RT3	Inverter compressor 2 discharging temperature sensor
RT4	Inverter compressor 1 shell top temperature sensor
RT5	Inverter compressor 2 shell top temperature sensor
RT6	Gas bypass inlet temperature sensor
RT7	Defrosting temperature sensor
RT8	Gas bypass outlet temperature sensor
RT9	Gas sub cooling temperature sensor
RT10	Liquid sub cooling temperature sensor
SP1/SP2	Low /high pressure sensor
EH1	Inverter compressor 1 electric heater belt
EH2	Oil separator electric heater belt
EH3	Inverter compressor 2 electric heater belt
HP1/HP2	Inverter compressor 1/2 high pressure switch



Model:  
AOU-560VRDC3B  
Wiring Diagram

ALPICAIR  
2018-01-31