

Foot mount GENIUS 1200R HA



Load capacity
up to 1200 kg



Adjustable
angle 0-15°

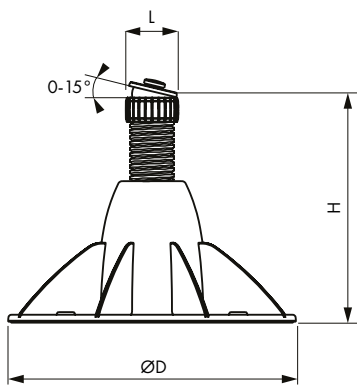


Adjustable height
200-300 mm

Description

The revolutionary GENIUS 1200F HA vibration-damping floor support. Adjustable and articulated from 200 to 300 mm and 0-15°. Thanks to its material with high mechanical strength charged to glass and carbon, it is possible to support loads up to 1 200 kg. Equipped with two vibration dampers and height adjustment. It is recommended for the installation of air conditioners, small refrigeration units and heat pumps.

Technical drawing



Technical specifications

- High mechanical strength (up to 1 200 kg)
- Anti-vibration rubber mat 10 mm
- 4 holes designed for floor fastening
- Packed in a set of 4
- Fastening pin with M10 screw
- Available in black

Dimensions [mm]:

Model	ØD	H	L
Genius 1200R HA	330	200 - 300	60



Integrated level



Adjustable angle 0-15°

